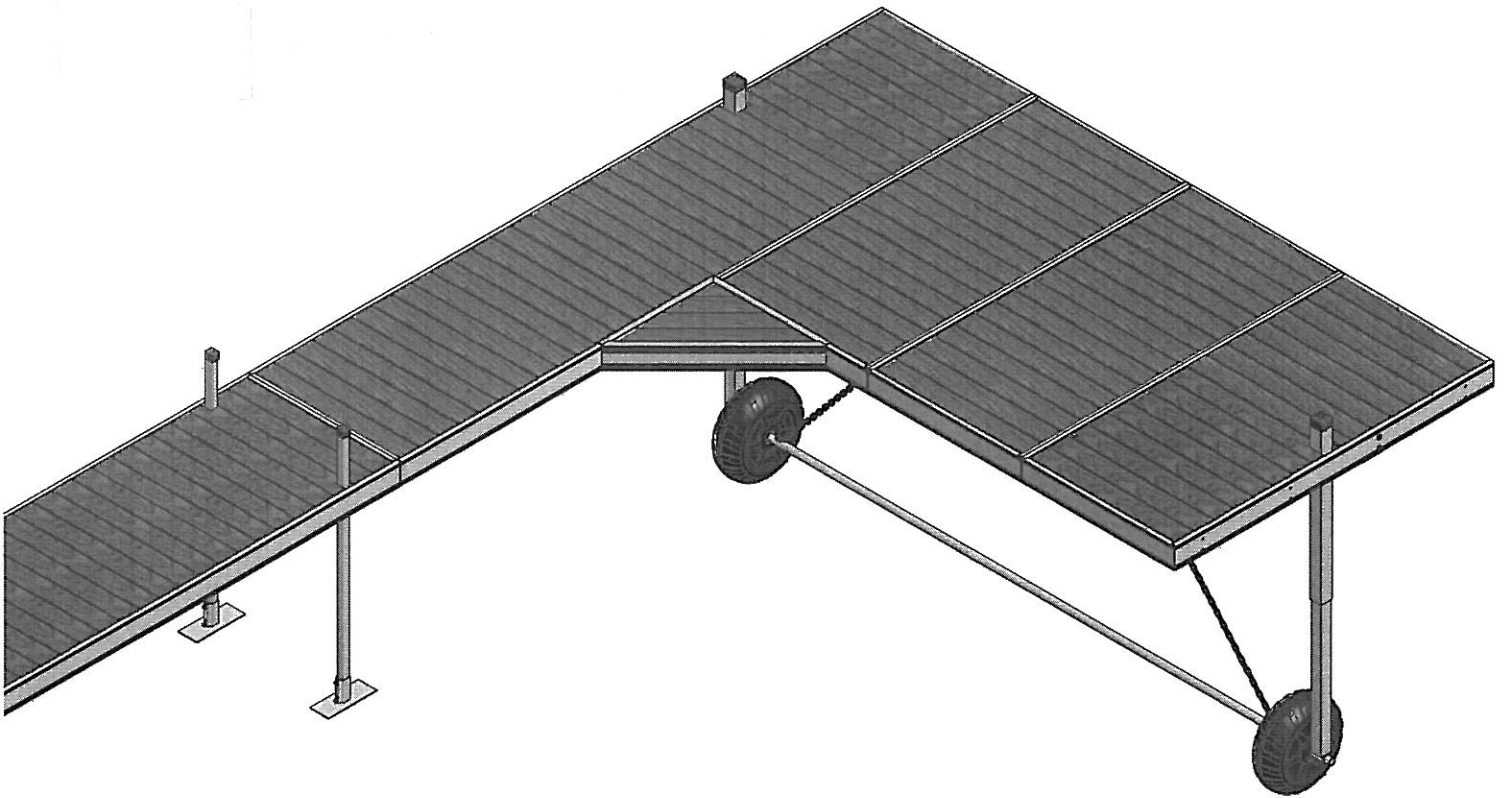


Phone: 218-739-4641  
Fax: 218-739-4008  
www.shoremaster.com



# WHEEL-A-DOCK 4 X 16 LAKE END, SINGLE, DOUBLE AND TRIPLE L:

Instructions and Safety Tips



## CAUTION - PUT SAFETY FIRST

1. Before attempting to install or use this dock, study and fully understand the proper operating procedures and safety precautions outlined in this owner's manual.
2. NOT COMPLYING WITH THE PROCEDURES AND PRECAUTIONS OUTLINED IN THIS MANUAL WILL INVALIDATE THE WARRANTY AND MAY RESULT IN PERSONAL INJURY OR DEATH.
3. If you have any questions about assembly, installation, use or suitability of this product, contact an authorized dealer or ShoreMaster directly at 1-800-328-8945.

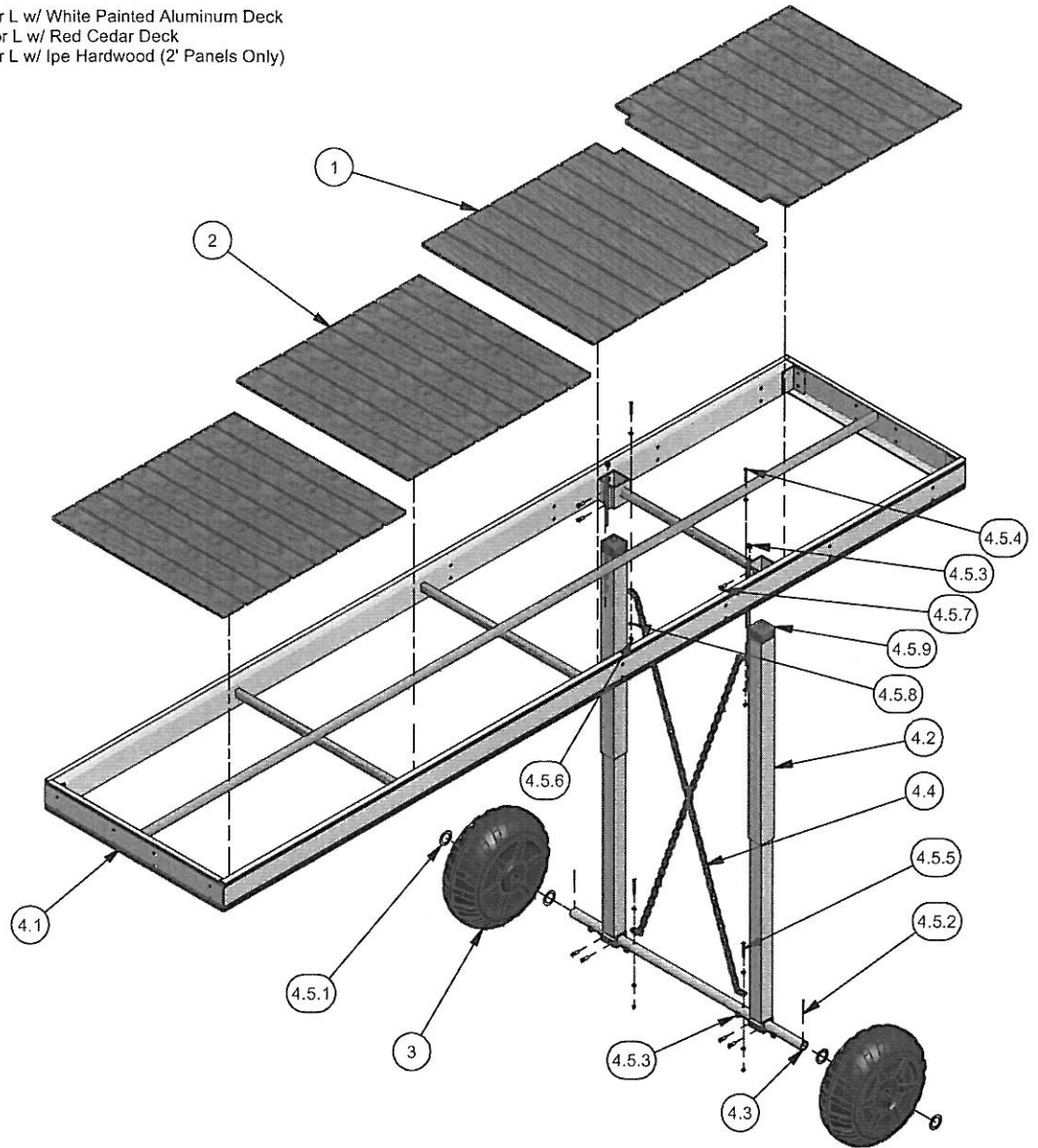
# TABLE OF CONTENTS

|                               |       |
|-------------------------------|-------|
| Exploded Views                | 3-7   |
| Lake End Section Assembly     | 8-11  |
| Lake End w/L Section Assembly | 12-16 |
| Cautions                      | 17    |
| Limited Warranty              | 18    |

# WHEEL-A-DOCK 4 X 16 LAKE END

PART #  
DMNW16AL  
DMNW16CD  
DMNW16IP

DOCK MODEL  
4 X 16 Lake End for L w/ White Painted Aluminum Deck  
4 X 16 Lake End for L w/ Red Cedar Deck  
4 X 16 Lake End for L w/ Ipe Hardwood (2' Panels Only)



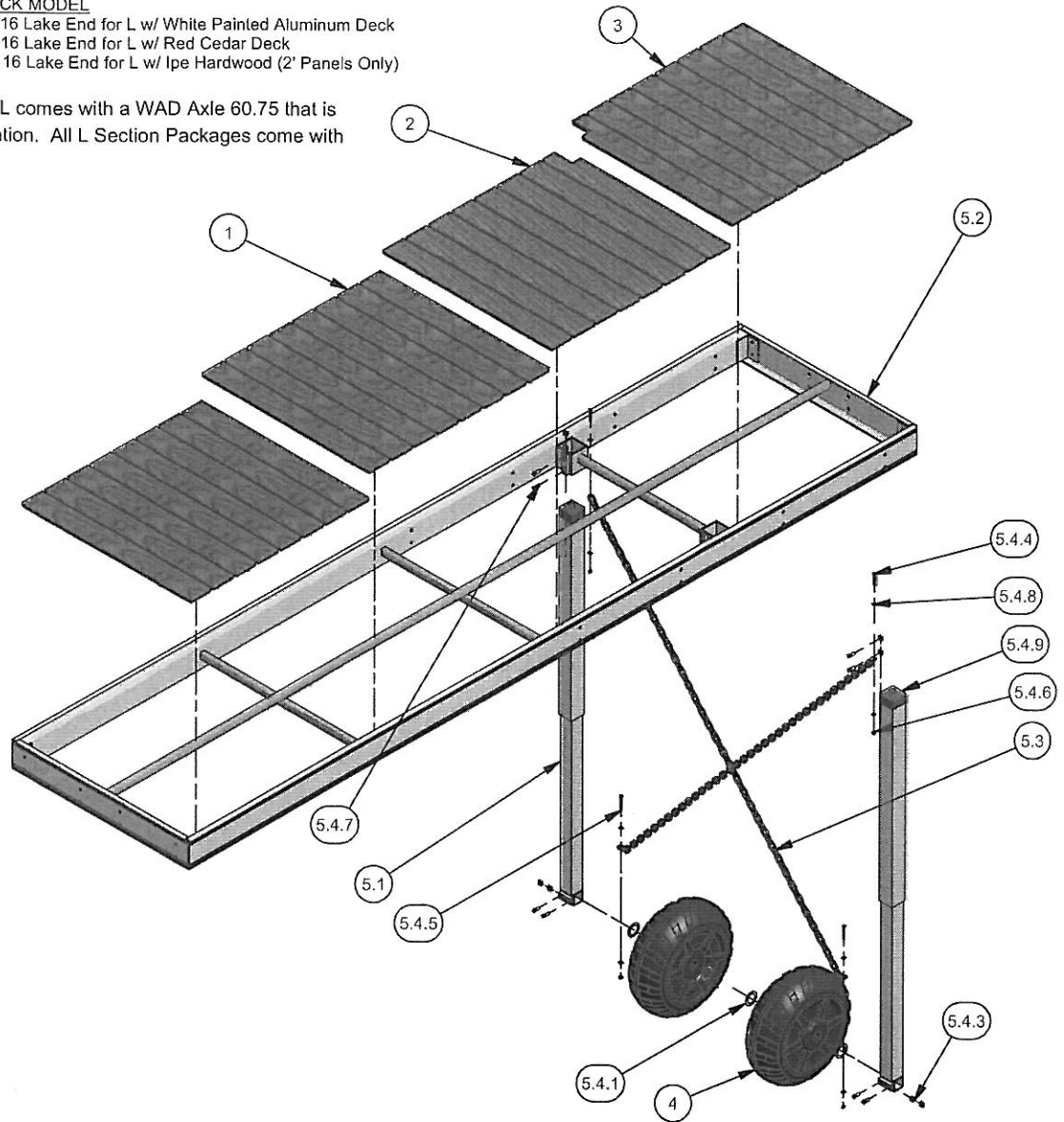
Parts List

| ITEM  | QTY | PART NUMBER | DESCRIPTION                 | WHITE ALUM | CEDAR     | IPE       |
|-------|-----|-------------|-----------------------------|------------|-----------|-----------|
| 1     | 2   | -----       | PANEL - NOTCHED             | PANELPAD   | PANEL00A0 | PANELIALE |
| 2     | 2   | -----       | PANEL - REGULAR             | PANELPARG  | PANEL0REG | PANELIARG |
| 3     | 2   | POLYWHEEL   | POLY TIRE                   |            |           |           |
| 4     | 1   | BDL4160LE   | BUNDLE 4 X 16 LAKE END      |            |           |           |
| 4.1   | 1   | WDN16CDLE   | WAD 4 X 16 LAKE END FRAME   |            |           |           |
| 4.2   | 2   | WDNAJSLEG   | WAD SCREW LEG               |            |           |           |
| 4.3   | 1   | STL06075D   | WAD AXLE 60.75              |            |           |           |
| 4.4   | 2   | WD10CHAIN   | CHAIN 3/16 X 120 GALVONIZED |            |           |           |
| 4.5   | 1   | DBBN16WAD   | BOLT BAG 4 X 16 LAKE END    |            |           |           |
| 4.5.1 | 4   | APAXLCOLR   | WASHER 3.0                  |            |           |           |
| 4.5.2 | 2   | S140212CP   | COTTER PIN .25 X 2.5        |            |           |           |
| 4.5.3 | 8   | B120SQNUT   | NUT SQUARE 1/2 BRASS        |            |           |           |
| 4.5.4 | 2   | MS380212B   | BOLT 3/8 X 2.5              |            |           |           |
| 4.5.5 | 2   | MS380300B   | BOLT 3/8 X 3                |            |           |           |
| 4.5.6 | 4   | B380RGNUT   | NUT 3/8 BRASS               |            |           |           |
| 4.5.7 | 8   | S120112SQ   | SET SCREW 1/2 X 1.5         |            |           |           |
| 4.5.8 | 8   | S380WASHR   | WASHER FLAT 3/8             |            |           |           |
| 4.5.9 | 2   | BLUECAPS9   | BLUE CAP - WAD SCREW LEG    |            |           |           |

# WHEEL-A-DOCK 4 X 8 LAKE END FOR L

| PART #    | DOCK MODEL   |
|-----------|--|
| DMNWD16LA | 4 X 16 Lake End for L w/ White Painted Aluminum Deck   |
| DMNWD16LC | 4 X 16 Lake End for L w/ Red Cedar Deck                |
| DMNWD16LI | 4 X 16 Lake End for L w/ Ipe Hardwood (2' Panels Only) |

**Note:** The Lake End For L comes with a WAD Axle 60.75 that is not used in an L configuration. All L Section Packages come with the appropriate Axle.



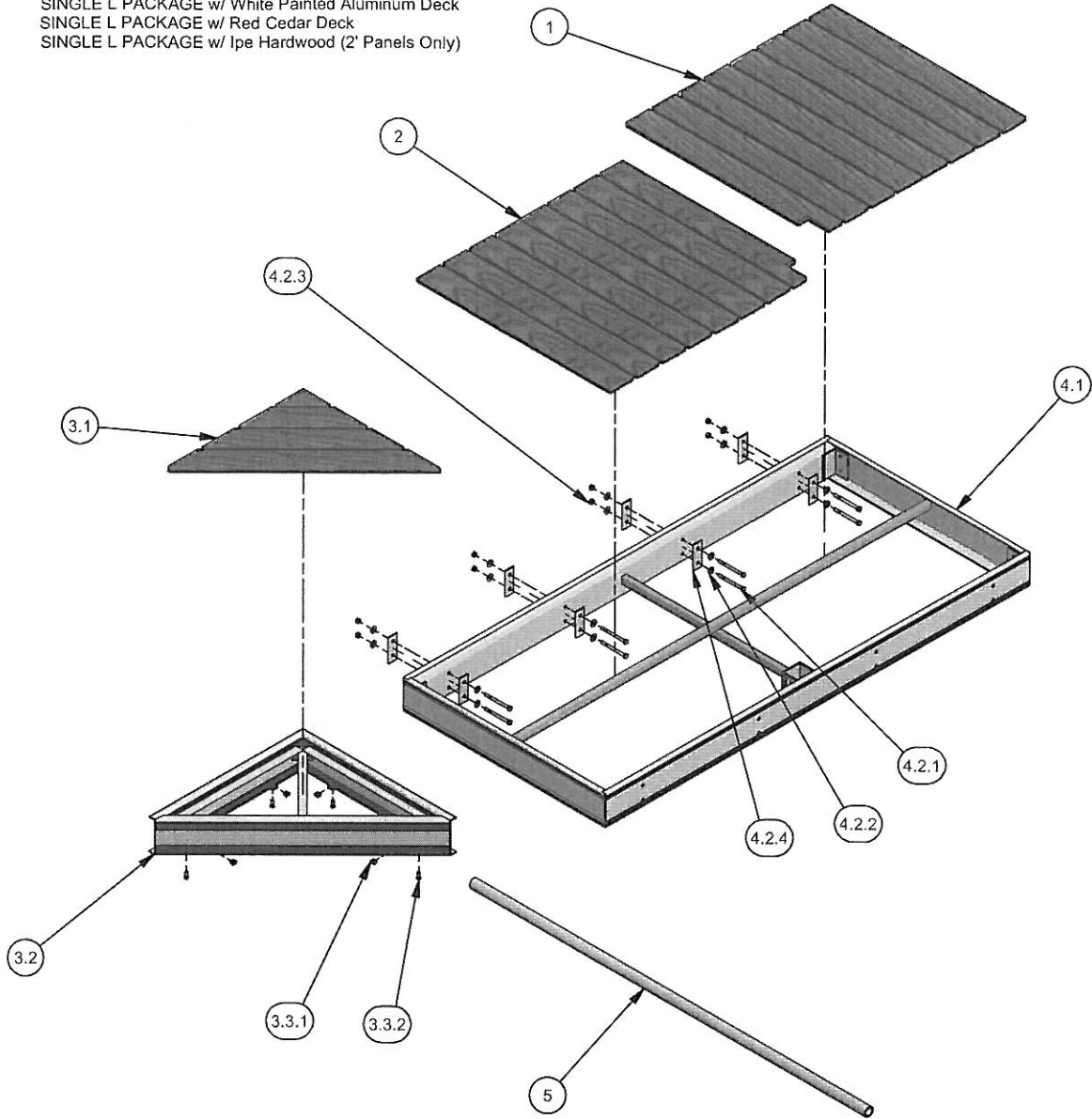
Parts List

| ITEM  | QTY | PART NUMBER | DESCRIPTION               | WHITE ALUM | CEDAR     | IPE       |
|-------|-----|-------------|---------------------------|------------|-----------|-----------|
| 1     | 2   | -----       | PANEL - REGULAR           | PANELPARG  | PANELOREG | PANELIARG |
| 2     | 1   | -----       | PANEL - NOTCHED           | PANELPAUS  | PANELOULS | PANELIAUS |
| 3     | 1   | -----       | PANEL - NOTCHED           | PANELPALS  | PANELOLLS | PANELIALS |
| 4     | 2   | POLYWHEEL   | POLY TIRE                 |            |           |           |
| 5     | 1   | BDL4160LE   | BUNDLE 4 X 16 LAKE END    |            |           |           |
| 5.1   | 2   | WDNAJSLEG   | WAD SCREW LEG             |            |           |           |
| 5.2   | 1   | WDN16CDLE   | WAD 4 X 16 LAKE END FRAME |            |           |           |
| 5.3   | 2   | WD10CHAIN   | CHAIN 3/16 X 120          |            |           |           |
| 5.4   | 1   | DBBN16WAD   | BOLT BAG 4 X 16 LAKE END  |            |           |           |
| 5.4.1 | 4   | APAXLCOLR   | WASHER 3.0                |            |           |           |
| 5.4.2 | 2   | S140212CP   | COTTER PIN .25 X 2.5      |            |           |           |
| 5.4.3 | 8   | B120SQNUT   | NUT SQUARE 1/2 BRASS      |            |           |           |
| 5.4.4 | 2   | MS380212B   | BOLT 3/8 X 2.5            |            |           |           |
| 5.4.5 | 2   | MS380300B   | BOLT 3/8 X 3              |            |           |           |
| 5.4.6 | 4   | B380RGNUT   | NUT 3/8 BRASS             |            |           |           |
| 5.4.7 | 8   | S120112SQ   | SET SCREW 1/2 X 1.5       |            |           |           |
| 5.4.8 | 8   | S380WASHR   | WASHER FLAT 3/8           |            |           |           |
| 5.4.9 | 2   | BLUECAPS9   | BLUE CAP - WAD SCREW LEG  |            |           |           |

# SINGLE L - PACKAGE

**PART #**  
 DAN8LSCAL  
 DAN8LSCCD  
 DAN8LSCIP

**DOCK MODEL**  
 SINGLE L PACKAGE w/ White Painted Aluminum Deck  
 SINGLE L PACKAGE w/ Red Cedar Deck  
 SINGLE L PACKAGE w/ Ipe Hardwood (2' Panels Only)



| Parts List |     |             |                           |            |           |           |
|------------|-----|-------------|---------------------------|------------|-----------|-----------|
| ITEM       | QTY | PART NUMBER | DESCRIPTION               | WHITE ALUM | CEDAR     | IPE       |
| 1          | 1   | -----       | PANEL - NOTCHED           | PANELPALS  | PANELOLLS | PANELIALS |
| 2          | 1   | -----       | PANEL - NOTCHED           | PANELPAUS  | PANELOULS | PANELIAUS |
| 3          | 1   | -----       | WAD CORNER                | DANPACRNR  | DANCDCRNR | DANIPCRNR |
| 3.1        | 1   | -----       | WAD CORNER PANEL          | PANELPACR  | PANELCDCR | PANELIPCR |
| 3.2        | 1   | WDN2CDCNR   | WAD CORNER FRAME          |            |           |           |
| 3.3        | 1   | DABBWDDL    | BOLT BAG - CORNER         |            |           |           |
| 3.3.1      | 4   | B120SQNUT   | NUT SQUARE 1/2 - 13 BRASS |            |           |           |
| 3.3.2      | 4   | S120SETSW   | SET SCREW 1/2 - 13 X 1.25 |            |           |           |
| 4          | 1   | BDL4080LS   | BUNDLE 4 X 8 L SECTION    |            |           |           |
| 4.1        | 1   | WDN08CDLS   | 4 X 8 L SECTION FRAME     |            |           |           |
| 4.2        | 1   | 500006510   | BOLT BAG L SECTION        |            |           |           |
| 4.2.1      | 8   | MS102512B   | BOLT 1/2 - 13 X 5.5       |            |           |           |
| 4.2.2      | 16  | S120WASHR   | WASHER FLAT 1-2 SS        |            |           |           |
| 4.2.3      | 8   | B120RGNUT   | NUT 1-2 - 13 BRASS        |            |           |           |
| 4.2.4      | 8   | 58700525D   | CONNECTOR PLATE           |            |           |           |
| 5          | 1   | STL09200H   | WAD AXLE 92.0             |            |           |           |

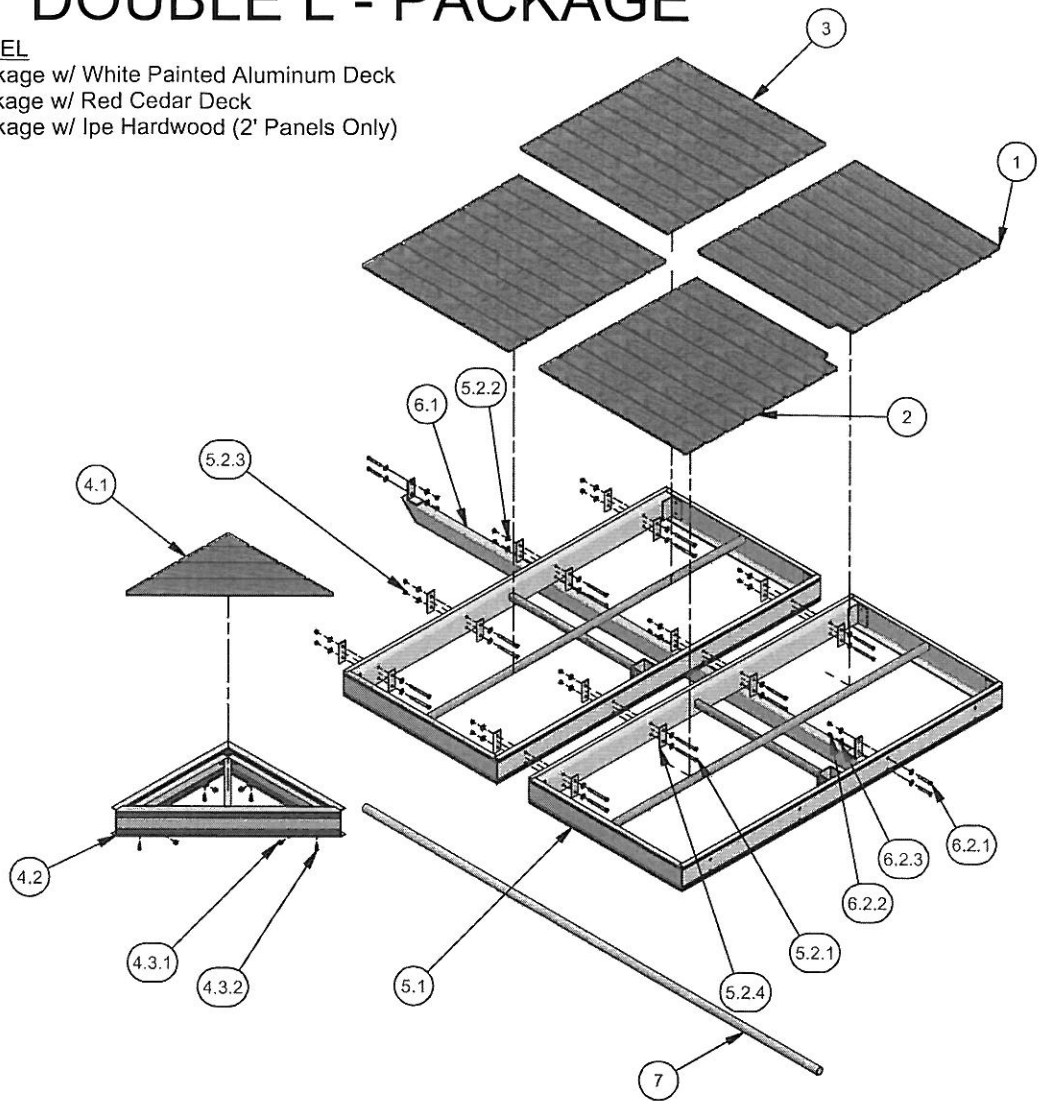
# DOUBLE L - PACKAGE

PART #

DAND8LSAL  
DAND8LSCD  
DAND8LSIP

DOCK MODEL

Double L Package w/ White Painted Aluminum Deck  
Double L Package w/ Red Cedar Deck  
Double L Package w/ Ipe Hardwood (2' Panels Only)



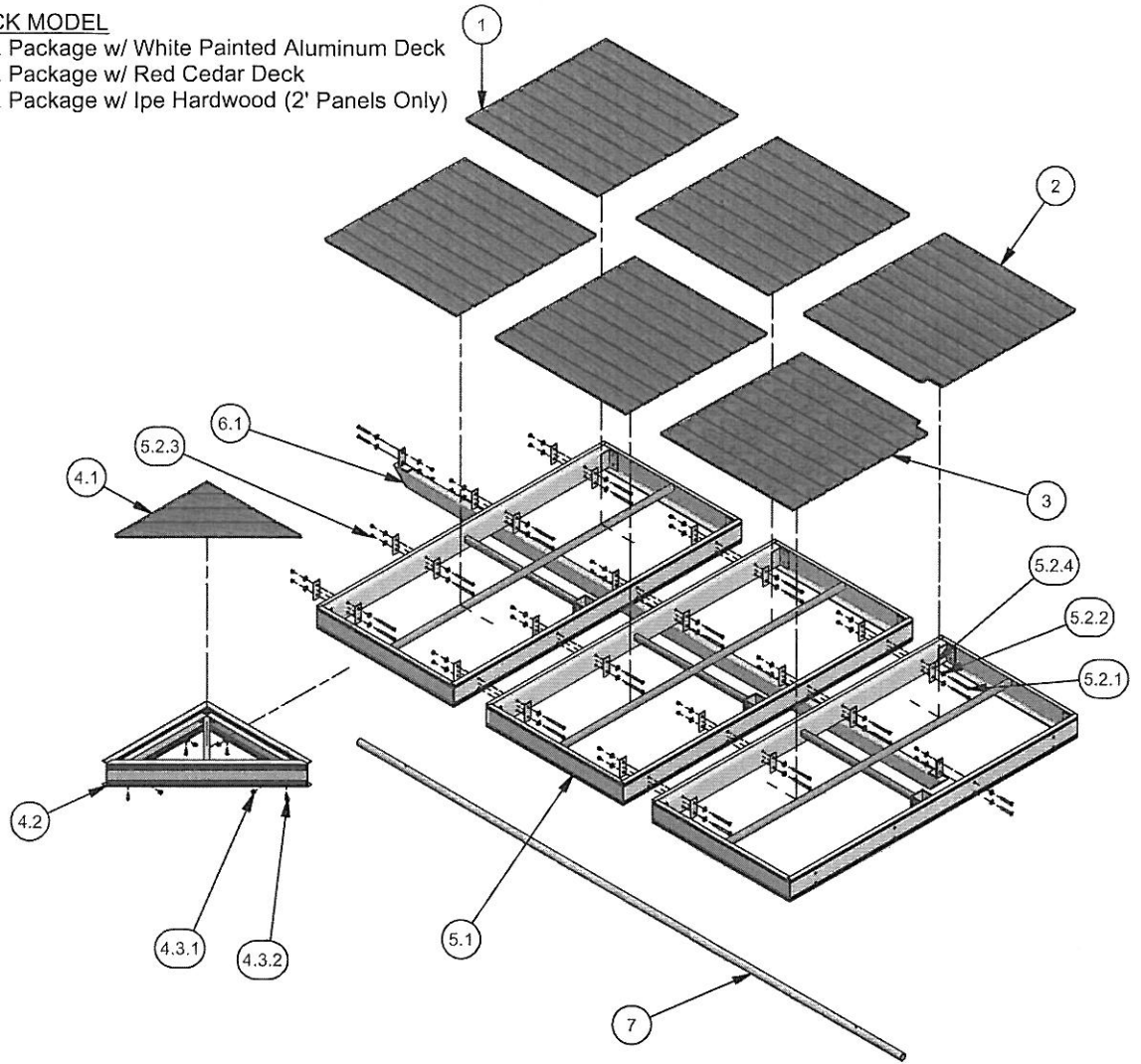
Parts List

| ITEM  | QTY | PART NUMBER | DESCRIPTION               | WHITE ALUM | CEDAR     | IPE       |
|-------|-----|-------------|---------------------------|------------|-----------|-----------|
| 1     | 1   | -----       | PANEL - NOTCHED           | PANELPALS  | PANELOLLS | PANELIALS |
| 2     | 1   | -----       | PANEL - NOTCHED           | PANELPAUS  | PANELOULS | PANELIAUS |
| 3     | 2   | -----       | PANEL - REGULAR           | PANELPARG  | PANELOREG | PANELIARG |
| 4     | 1   | -----       | WAD CORNER                | DANPACRNR  | DANCDCRNR | DANIPCRNR |
| 4.1   | 1   | -----       | WAD CORNER PANEL          | PANELPACR  | PANELCDCR | PANELIPCR |
| 4.2   | 1   | WDN2CDCNR   | WAD CORNER FRAME          |            |           |           |
| 4.3   | 1   | DABBWDDL    | BOLT BAG - CORNER         |            |           |           |
| 4.3.1 | 4   | B120SQNUT   | NUT SQUARE 1/2 - 13 BRASS |            |           |           |
| 4.3.2 | 4   | S120SETSW   | SET SCREW 1/2 X 1.25      |            |           |           |
| 5     | 2   | BDL4080LS   | BUNDLE 4 X 8 L SECTION    |            |           |           |
| 5.1   | 1   | WDN08CDLS   | 4 X 8 L SECTION FRAME     |            |           |           |
| 5.2   | 1   | 500006510   | BOLT BAG L SECTION        |            |           |           |
| 5.2.1 | 8   | MS102512B   | BOLT 1/2 - 13 X 5.5       |            |           |           |
| 5.2.2 | 16  | S120WASHR   | WASHER FLAT 1-2 SS        |            |           |           |
| 5.2.3 | 8   | B120RGNUT   | NUT 1-2 - 13 BRASS        |            |           |           |
| 5.2.4 | 8   | 58700525D   | CONNECTOR PLATE           |            |           |           |
| 6     | 1   | DAWDLBRCE   | DOUBLE L BRACE w/BOLT BAG |            |           |           |
| 6.1   | 1   | 230006810   | DOUBLE L BRACE            |            |           |           |
| 6.2   | 1   | DABBWDDL    | BOLT BAG - L BRACE        |            |           |           |
| 6.2.1 | 4   | MS120312B   | BOLT 1/2 X 3.5 SS         |            |           |           |
| 6.2.2 | 4   | B120RGNUT   | NUT 1-2 - 13 BRASS        |            |           |           |
| 6.2.3 | 8   | S120WASHR   | WASHER FLAT 1-2 SS        |            |           |           |
| 7     | 1   | STL138000D  | AXLE 139 WAD              |            |           |           |

# WHEEL-A-DOCK 4 X 8 TRIPLE L

**PART #**  
 420006440  
 420006450  
 420006460

**DOCK MODEL**  
 Triple L Package w/ White Painted Aluminum Deck  
 Triple L Package w/ Red Cedar Deck  
 Triple L Package w/ Ipe Hardwood (2' Panels Only)



Parts List

| ITEM  | QTY | PART NUMBER | DESCRIPTION                | WHITE ALUM | CEDAR     | IPE       |
|-------|-----|-------------|----------------------------|------------|-----------|-----------|
| 1     | 4   | -----       | PANEL - REGULAR            | PANELPARG  | PANELOREG | PANELIARG |
| 2     | 1   | -----       | PANEL - NOTCHED            | PANELPALS  | PANELOLLS | PANELIALS |
| 3     | 1   | -----       | PANEL - NOTCHED            | PANELPAUS  | PANELOULS | PANELIAUS |
| 4     | 1   | -----       | WAD CORNER                 | DANPACRNR  | DANCDCRNR | DANIPCRNR |
| 4.1   | 1   | -----       | WAD CORNER PANEL           | PANELPACR  | PANELCDCR | PANELIPCR |
| 4.2   | 1   | WDN2CDCNR   | WAD CORNER FRAME           |            |           |           |
| 4.3   | 1   | DABBWDDL    | BOLT BAG - CORNER          |            |           |           |
| 4.3.1 | 4   | B120SQNUT   | NUT SQUARE 1/2 - 13 BRASS  |            |           |           |
| 4.3.2 | 4   | S120SETSW   | SET SCREW 1/2 - 13 X 1.25  |            |           |           |
| 5     | 3   | BDL4080LS   | BUNDLE 4 X 8 L SECTION     |            |           |           |
| 5.1   | 1   | WDN08CDLS   | 4 X 8 L SECTION FRAME      |            |           |           |
| 5.2   | 1   | 500006510   | BOLT BAG L SECTION         |            |           |           |
| 5.2.1 | 8   | MS102512B   | BOLT 1/2 - 13 X 5.5        |            |           |           |
| 5.2.2 | 16  | S120WASHR   | WASHER FLAT 1-2 SS         |            |           |           |
| 5.2.3 | 8   | B120RGNUT   | NUT 1-2 - 13 BRASS         |            |           |           |
| 5.2.4 | 8   | 58700525D   | CONNECTOR PLATE            |            |           |           |
| 6     | 1   | DAWDTLBRC   | TRIPLE L BRACE /w BOLT BAG |            |           |           |
| 6.1   | 1   | 230006820   | TRIPLE L BRACE WELDMENT    |            |           |           |
| 6.2   | 1   | DABBWDDL    | BOLT BAG - L BRACE         |            |           |           |
| 6.2.1 | 4   | B120RGNUT   | NUT 1-2 - 13 BRASS         |            |           |           |
| 6.2.2 | 8   | S120WASHR   | WASHER FLAT 1-2 SS         |            |           |           |
| 6.2.3 | 4   | MS120312B   | BOLT 1/2 X 3.5 SS          |            |           |           |
| 7     | 1   | 124001210   | AXLE 186" WAD TRIPLE L     |            |           |           |

# ASSEMBLY INSTRUCTIONS

Your safety is the most important issue related to this product.

- Fully read and understand each step before proceeding with that step.
- Wear protective gloves, clothing and eyewear when assembling and installing the dock.
- Do not assemble, install or use this product if items are missing or damaged.

For ease of assembly find a flat area with plenty of room to assemble dock. The following tools will be needed for assembling lift:

1. Adjustable Wrench
2. Pair of 9/16" Wrenches
2. Pair of 3/4" Wrenches
3. Measuring Tape
4. Needle Nose Pliers

Only hand tighten bolts and nuts until dock is completely assembled. Before assembly determine the layout of the dock system. Take depth measurements at ten foot intervals starting at where the dock will start. Make sure you have adequate dock leg lengths to accommodate water fluctuation.

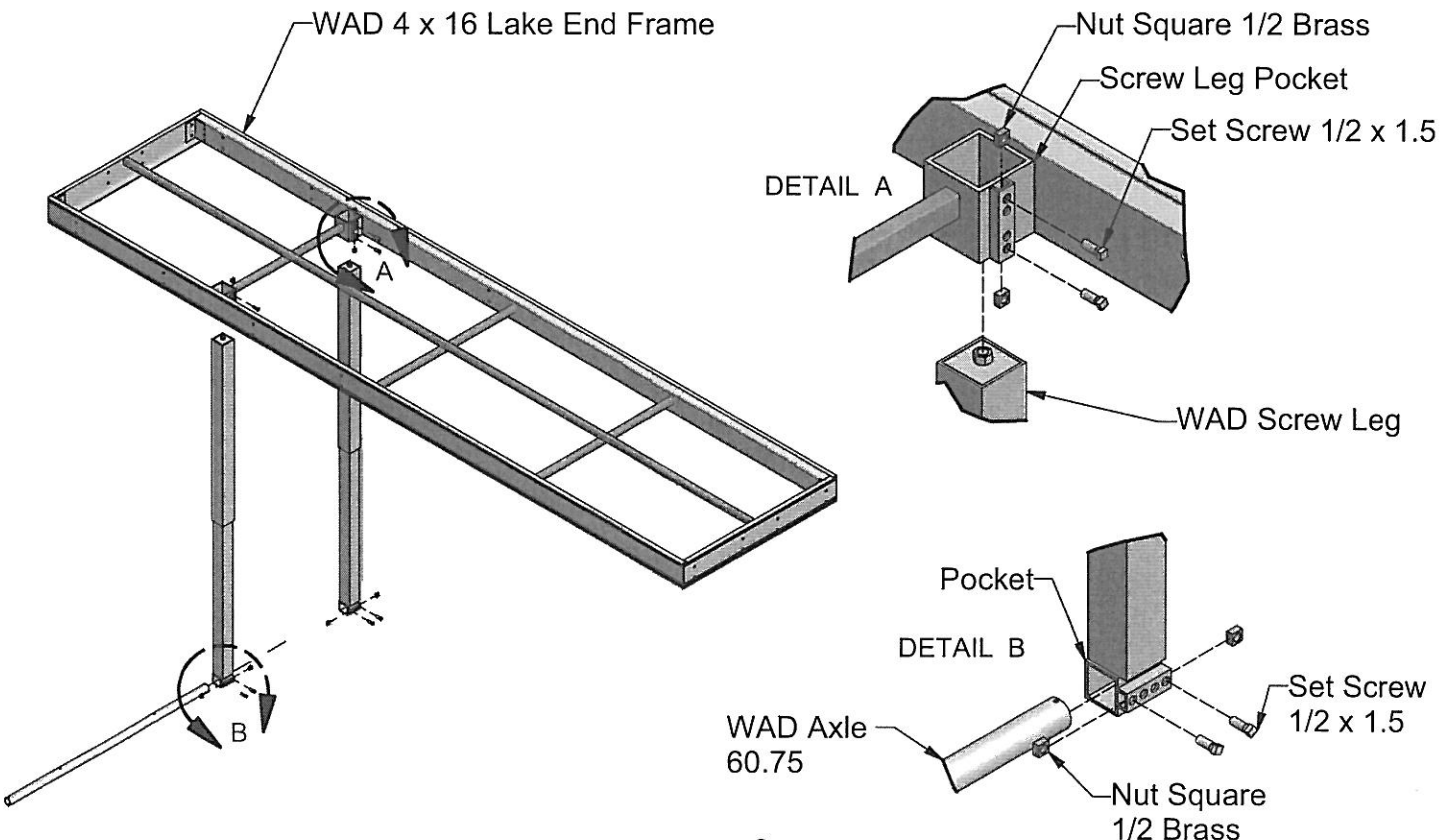
## Lake End Assembly

The following three steps illustrate the proper assembly of the standard 4 x 16 Lake End Section.

### STEP 1

A.) Insert one WAD(Wheel-A-Dock) Screw Leg into each Leg Pocket of the WAD 4 x 16 Lake End Frame. Secure each WAD Screw Leg with two Set Screws 1/2 x 1.5 and two Nuts Square 1/2 Brass - as shown in Detail "A."

B.) Attach the WAD Axle 60.75 to each WAD Screw Leg. Insert the WAD Axle 60.75 through the Pocket at the Bottom of each WAD Screw Leg. Position the WAD Axle 60.75 so it is centered on the dock and secure with two Set Screws 1/2 x 1.5 and two Nuts Square 1/2 Brass - as shown in Detail "B."

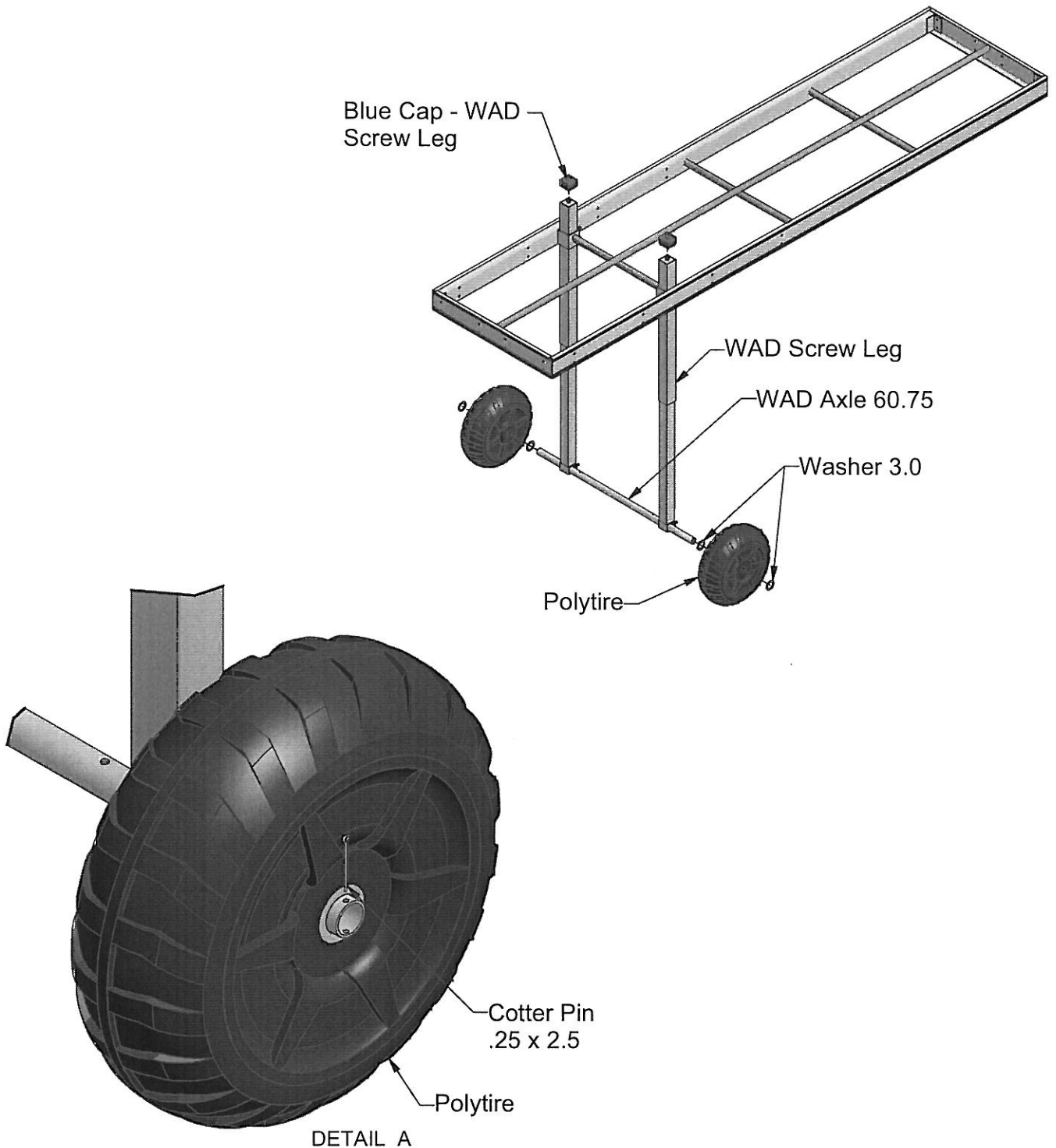




## STEP 2

Insert two Washers 3.0 and one Polytire onto each end of the WAD Axle 60.75. Make sure each Polytire has one Washer 3.0 is on each side. Secure each Polytire with one Cotter Pin .25 x 2.5 - as shown in Detail "A."

Cover the end of each WAD Screw Leg with one Blue Cap - WAD Screw Leg - as shown.



# STEP 3

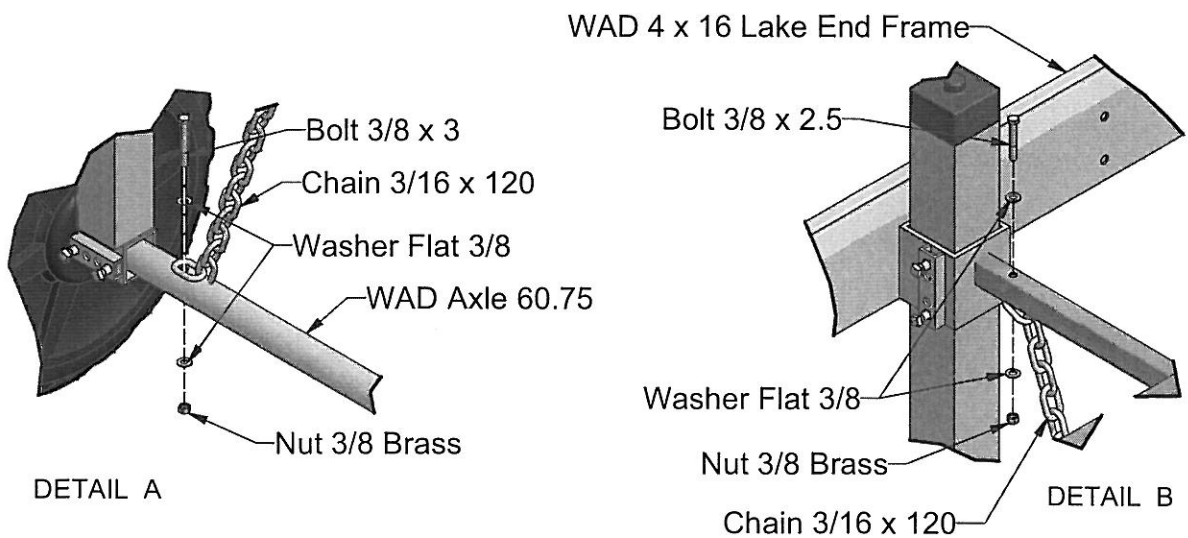
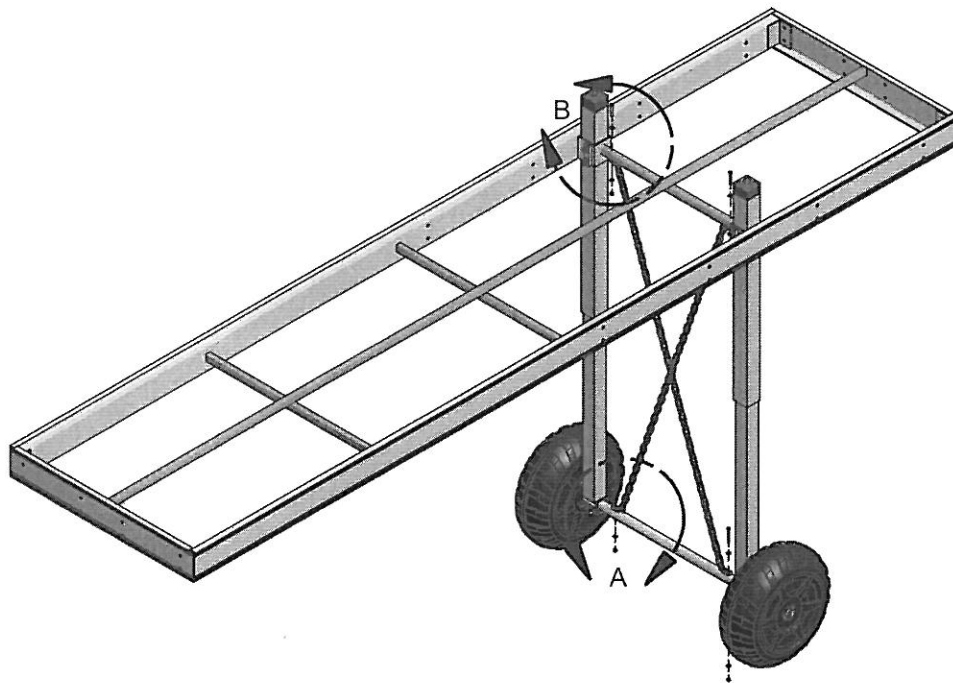
Attach one end of each Chain 3/16 x 120 to the WAD Axle 60.75 with one Bolt 3/8 x 3, two Washers Flat 3/8 and one Nut 3/8 Brass - as shown in Detail "A."

Attach the other end of each Chain 3/16 x 120 to the WAD 4 x 16 Lake End Frame with one Bolt 3/8 x 2.5, two Washers Flat 3/8 and one Nut 3/8 Brass - as shown in Detail "B."

After the Chains are connected - as shown, raise each WAD Screw Leg Until both Chains are firm.

## CAUTION

Do not over tighten set screws. Over tightening of set screws will result in bending or breaking of parts.



## STEP 4

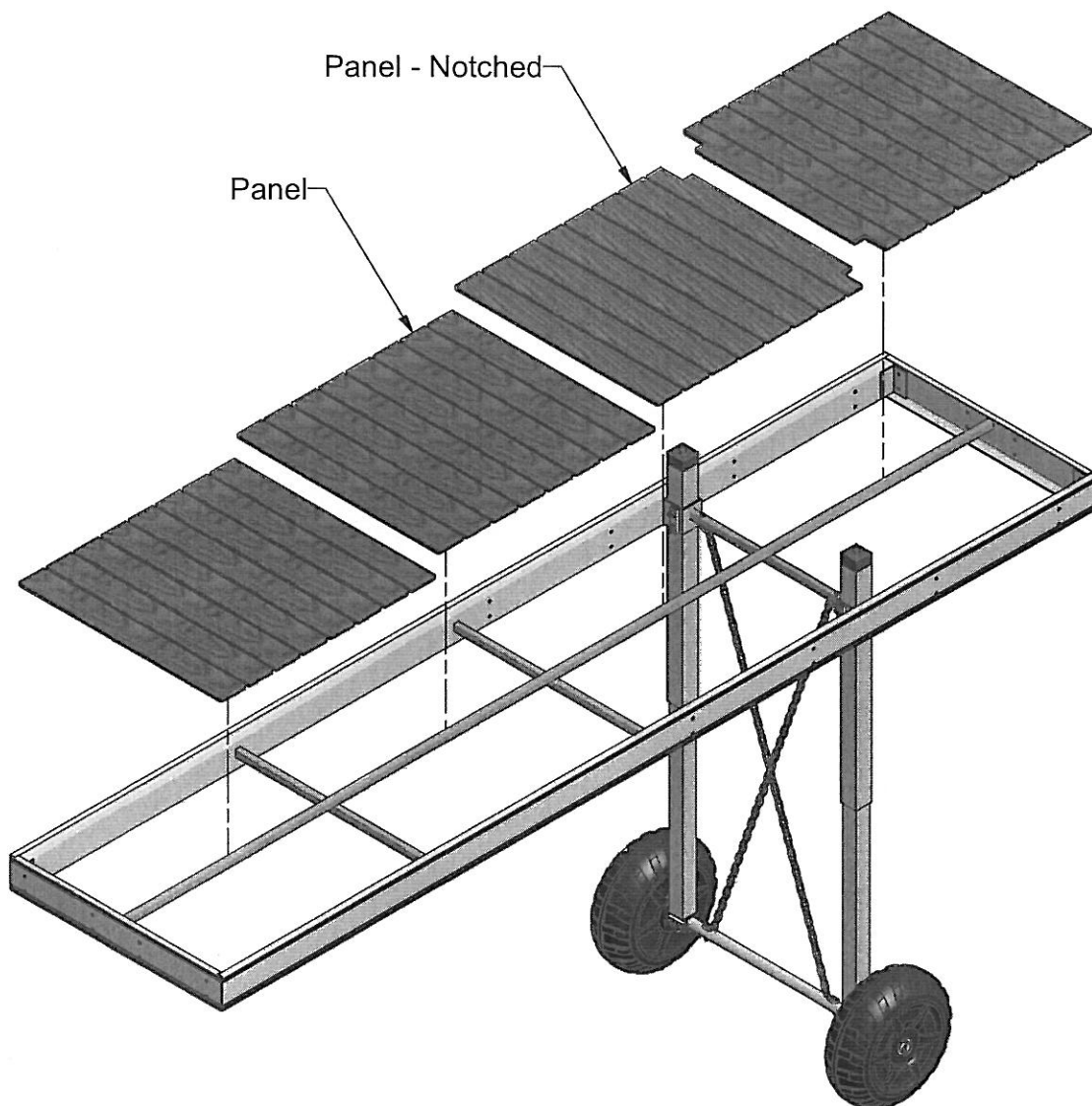
Place four Panels(eight if using IPE) on the WAD 4 x 16 Lake End Frame. The two Panels - Notched surround the WAD Screw Legs - as shown.

**Note:** Before installing any panels, all of the dock sections should be assembled and attached and the entire dock system should be installed and leveled by adjusting the height of the WAD Screw Legs and Leg Posts.

**Note:** Make sure there is enough clearance for water fluctuation and wave action. Once all the connections are made between dock sections fully tighten all Nuts and Bolts.

## CAUTION

Do not over tighten set screws. Over tightening of set screws will result in bending or breaking of parts.



# ASSEMBLY INSTRUCTIONS

Your safety is the most important issue related to this product.

- Fully read and understand each step before proceeding with that step.
- Wear protective gloves, clothing and eyewear when assembling and installing the dock.
- Do not assemble, install or use this product if items are missing or damaged.

For ease of assembly find a flat area with plenty of room to assemble dock. The following tools will be needed for assembling lift:

1. Adjustable Wrench
2. Pair of 9/16" Wrenches
3. Pair of 3/4" Wrenches
4. Measuring Tape
5. Needle Nose Pliers

Only hand tighten bolts and nuts until dock is completely assembled. Before assembly determine the layout of the dock system. Take depth measurements at ten foot intervals starting at where the dock will start. Make sure you have adequate dock leg lengths to accommodate water fluctuation.

## Lake End with L Package Assembly

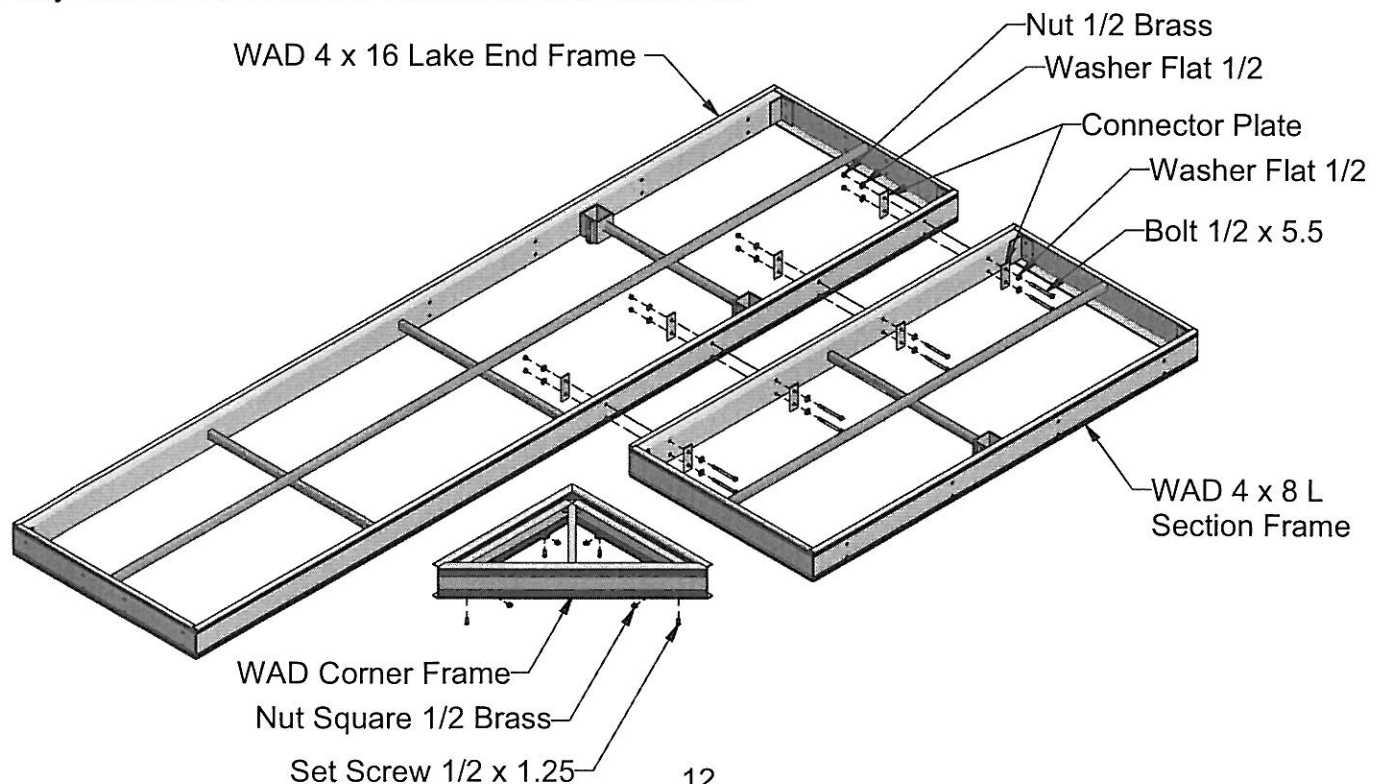
The following three steps illustrate the proper assembly of the standard 4 x 16 Lake End with a Single, Double or Triple L Package.

### STEP 1

Attach the WAD 4 x 8 L Section Frame to the WAD 4 x 16 Lake End Frame with eight Bolts 1/2 x 5.5, sixteen Washers Flat 1/2, eight Connector Plates and eight Nuts 1/2 Brass - as shown. Attach the hardware but leave the two frames loose until the WAD Corner Frame has been attached.

Attach the WAD Corner Frame to the WAD 4 x 8 L Section Frame and the WAD 4 x 16 Lake End Frame with four Set Screw 1/2 x 1.25 and four Nuts Square 1/2 Brass - as shown.

**Note:** Connect the extra WAD 4 x 8 L Section Frames in the Double L and Triple L Configurations the same way after the WAD Corner Frame has been attached.

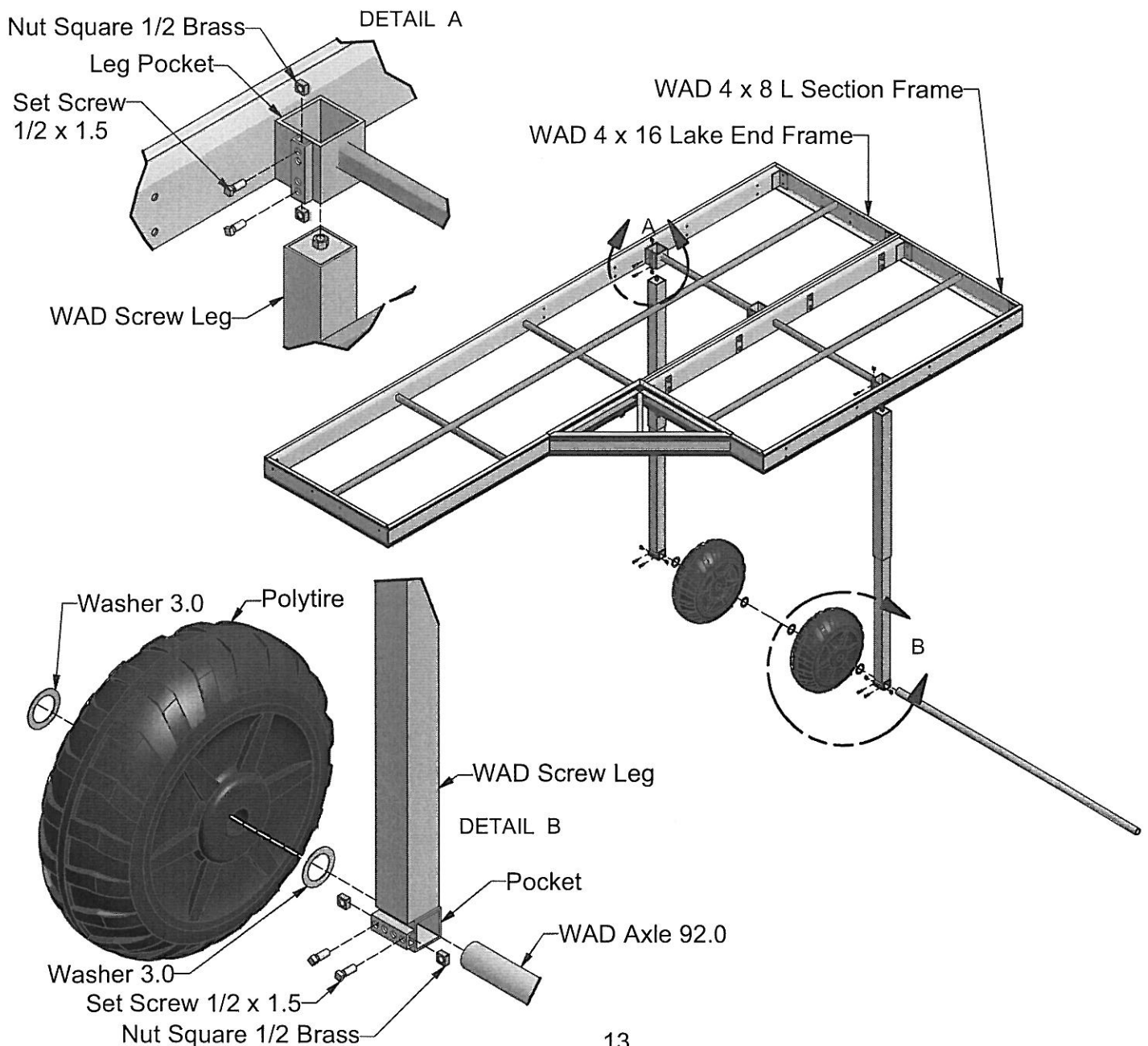


# STEP 2

A.) Insert one WAD(Wheel-A-Dock) Screw Leg into the outer Leg Pockets of the WAD 4 x 16 Lake End Frame and the WAD 4 x 8 L Section Frame - as shown. Secure each WAD Screw Leg with two Set Screws 1/2 x 1.5 and two Nuts Square 1/2 Brass - as shown in Detail "A."

B.) Attach the WAD Axle 60.75 to each WAD Screw Leg. Insert the WAD Axle 60.75 through one of the Pockets at the Bottom of each WAD Screw Leg. Slide four Washers 3.0 and two Polytires onto the WAD Axle 60.75 so that each Polytire has one Washer 3.0 one each side . Position the WAD Axle 60.75 so it is centered on the dock and secure it to each Pocket with two Set Screws 1/2 x 1.5 and two Nuts Square 1/2 Brass - as shown in Detail "B."

For the Double L and Triple L Configurations complete this step the same way. The WAD Axle 139.00 is to be used in the Double L Configuration and the WAD Axle 186.00 is to be used in the Triple L Configuration.



# STEP 3

Attach one end of each Chain 3/16 x 120 to the WAD Axle 92.0 with one Bolt 3/8 x 3, two Washers Flat 3/8 and one Nut 3/8 Brass - as shown in Detail "A."

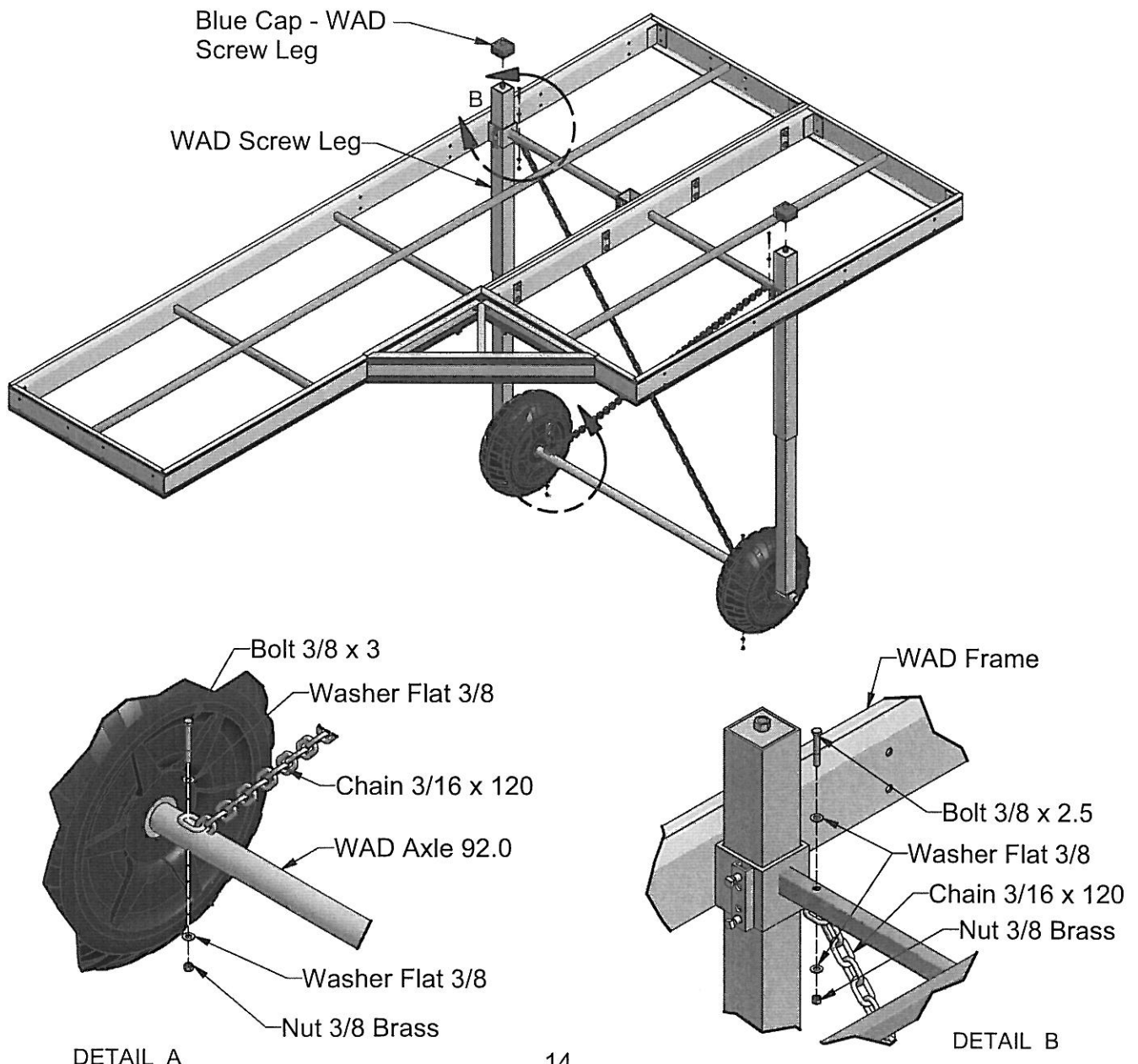
Take a water depth measurement at the point where the wheels will be. Adjust the WAD Screw Legs to account for water fluctuation and wave action

Attach the other end of each Chain 3/16 x 120 to the WAD Frame with one Bolt 3/8 x 2.5, two Washers Flat 3/8 and one Nut 3/8 Brass in each place - as shown in Detail "B." After the Chains are connected, raise each WAD Screw Leg Until both Chains are firm.

Cover the end of each WAD Screw Leg with one Blue Cap - WAD Screw Leg - as shown.

## CAUTION

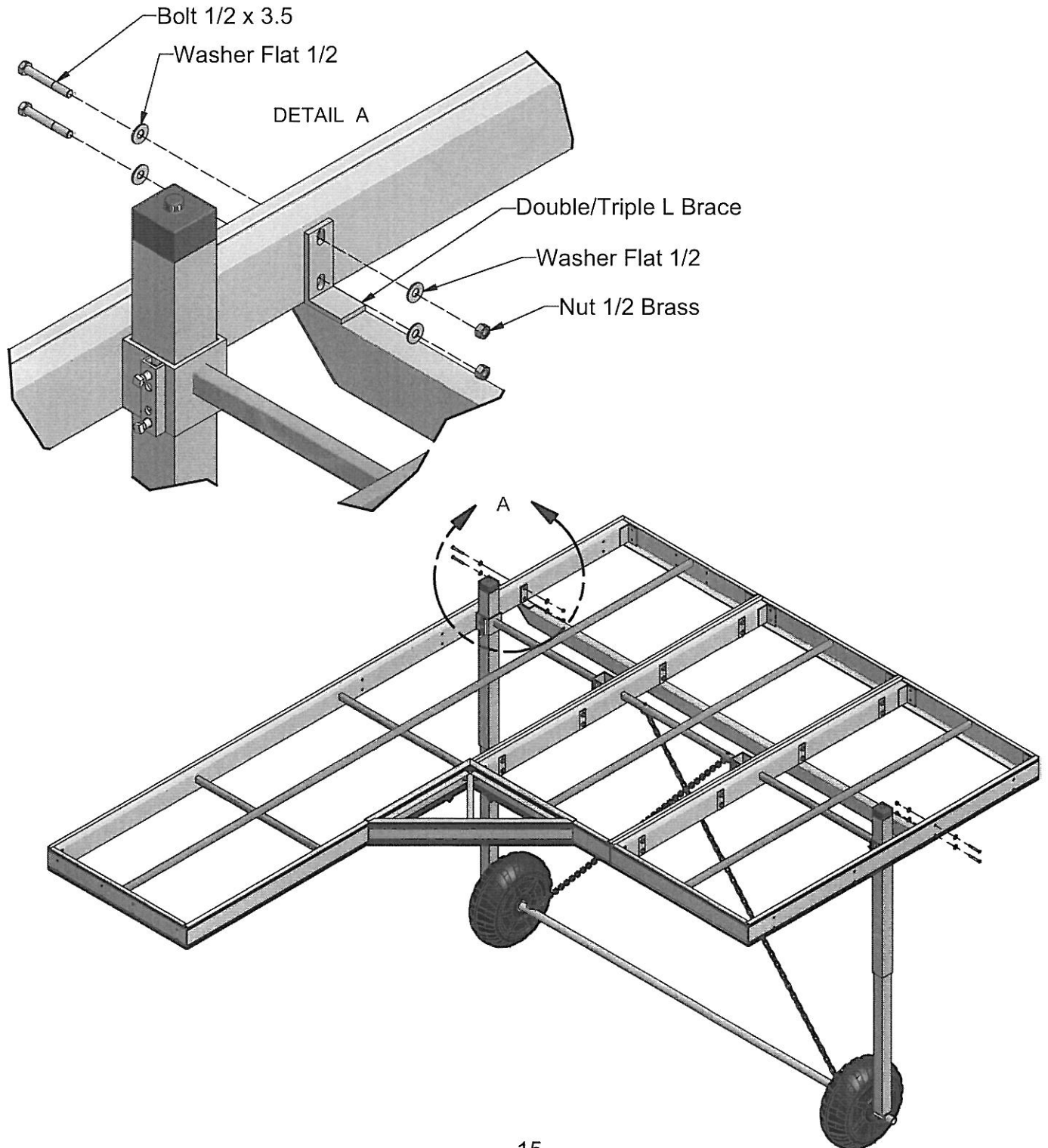
Do not over tighten set screws. Over tightening of set screws will result in bending or breaking of parts.



# STEP 4

The Double L and Triple L configurations require under carriage bracing. Attach the Double L Brace (Triple L Brace for the Triple L configuration) to the outside rails of the WAD 4 x 16 Lake End and WAD 4 x 8 L Section Frames with two Bolts 1/2 x 3.5, four Washers Flat 1/2 and two Nuts 1/2 Brass in each place - as shown in Detail "A."

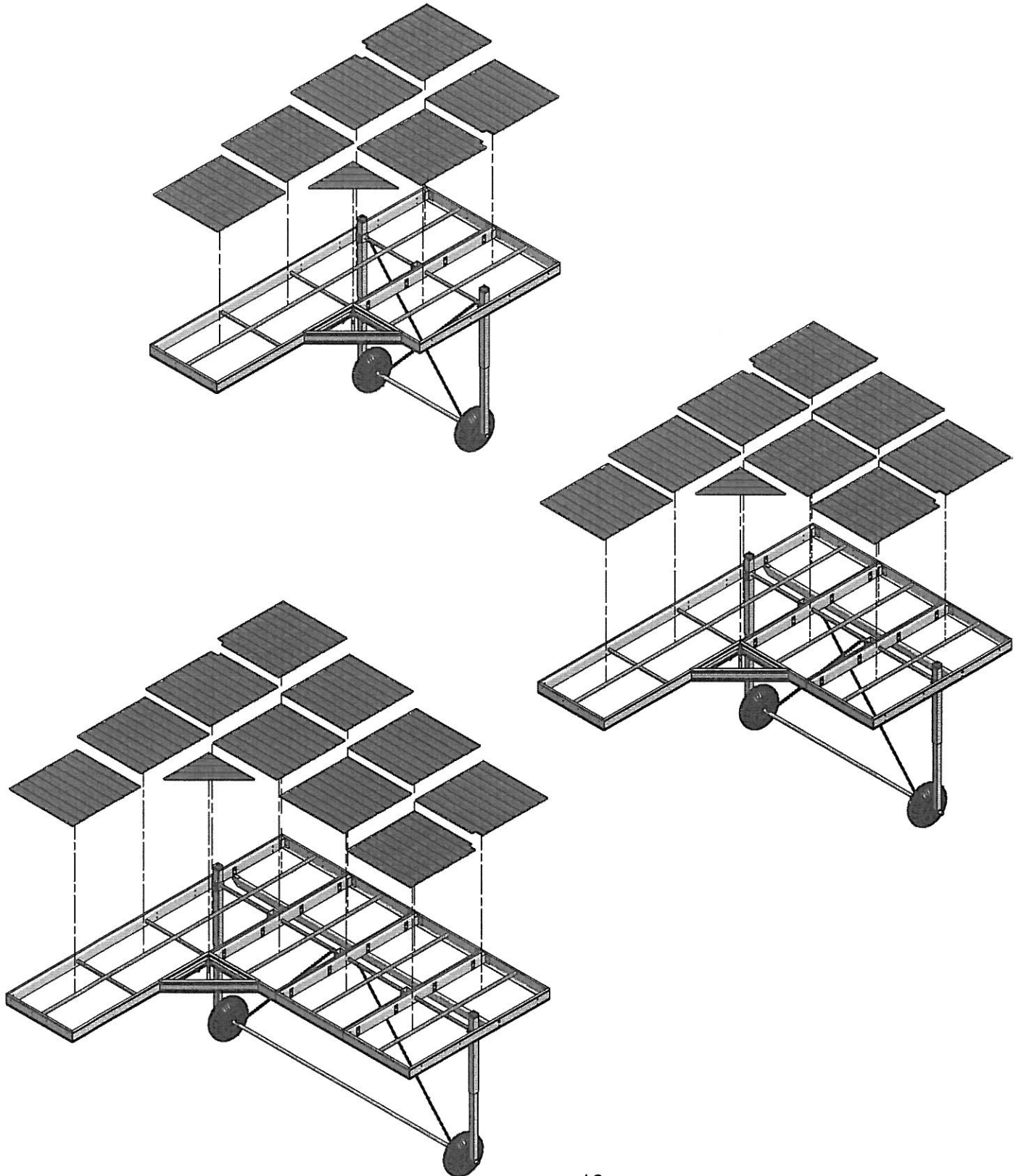
**Note:** Attach the Double or Triple L Brace to the middle hole pattern closest to the Lake End of the dock - as shown.



# STEP 5

Place four Panels (eight if using IPE) on the WAD 4 x 16 Lake End Frame. The two Panels - Notched surround the WAD Screw Legs - as shown.

**Note:** Before installing any panels, all of the dock sections should be assembled and attached and the entire dock system should be installed and leveled by adjusting the height of the WAD Screw Legs and Leg Posts.





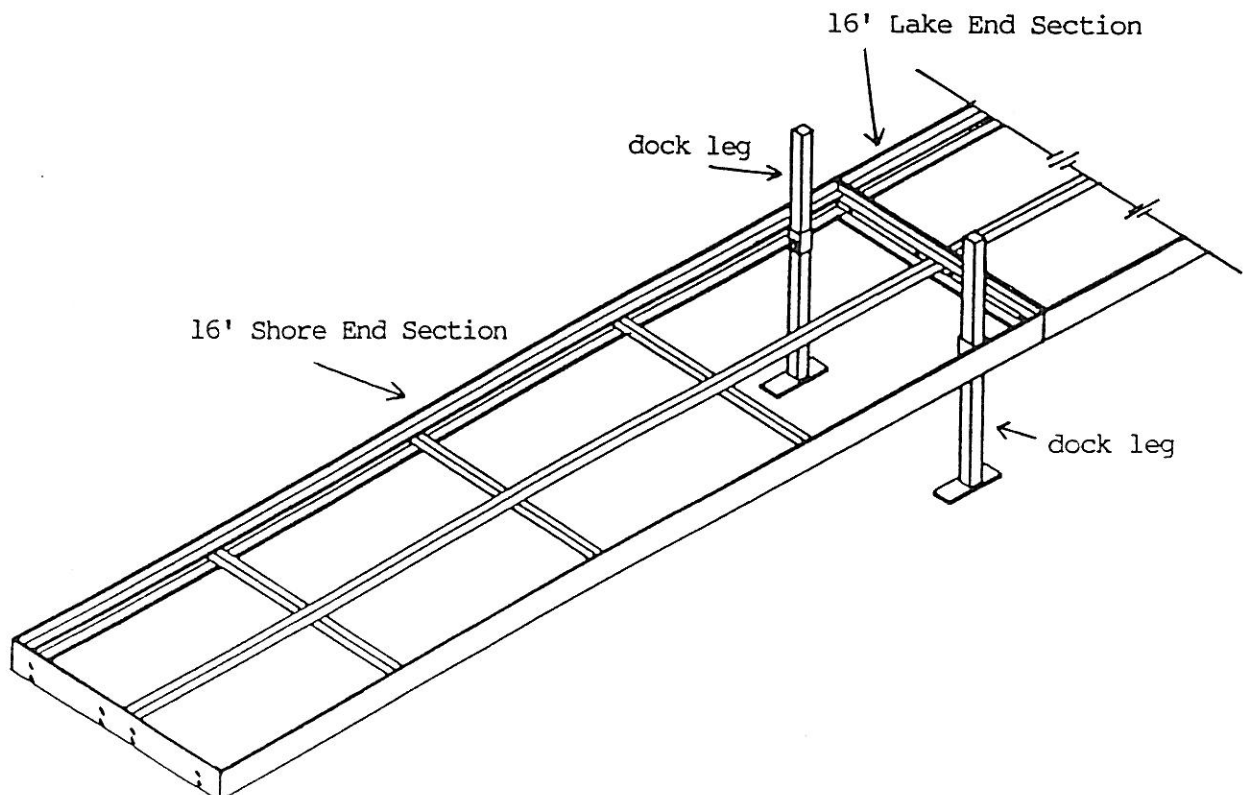
## WHEEL-A-DOCK

ALUMINUM W/PAINTED ALUMINUM DECK & ALUMINUM W/CEDAR DECK

4 X 8, 4 X 16 ADD-ON

# SHOREMASTER

- (A) Slide the dock legs into the leg pockets on the 16' Shore End Section and secure in place using 1/2" X 1 1/4" square head bolts and 1/2" square nuts.
- (B) Bolt the 16' Lake End Section to the 16' Shore End Section using 1/2" X 1 1/2" machine bolts. Please use (2) washers on each bolt. Please tighten these bolts as much as possible to help prevent sagging where the two sections come together.



(A) Attach one end of each chain to the axle between the tires using 3/8" X 3" machine bolts and 3/8" washers and nuts. This connection will also keep the tires in place.

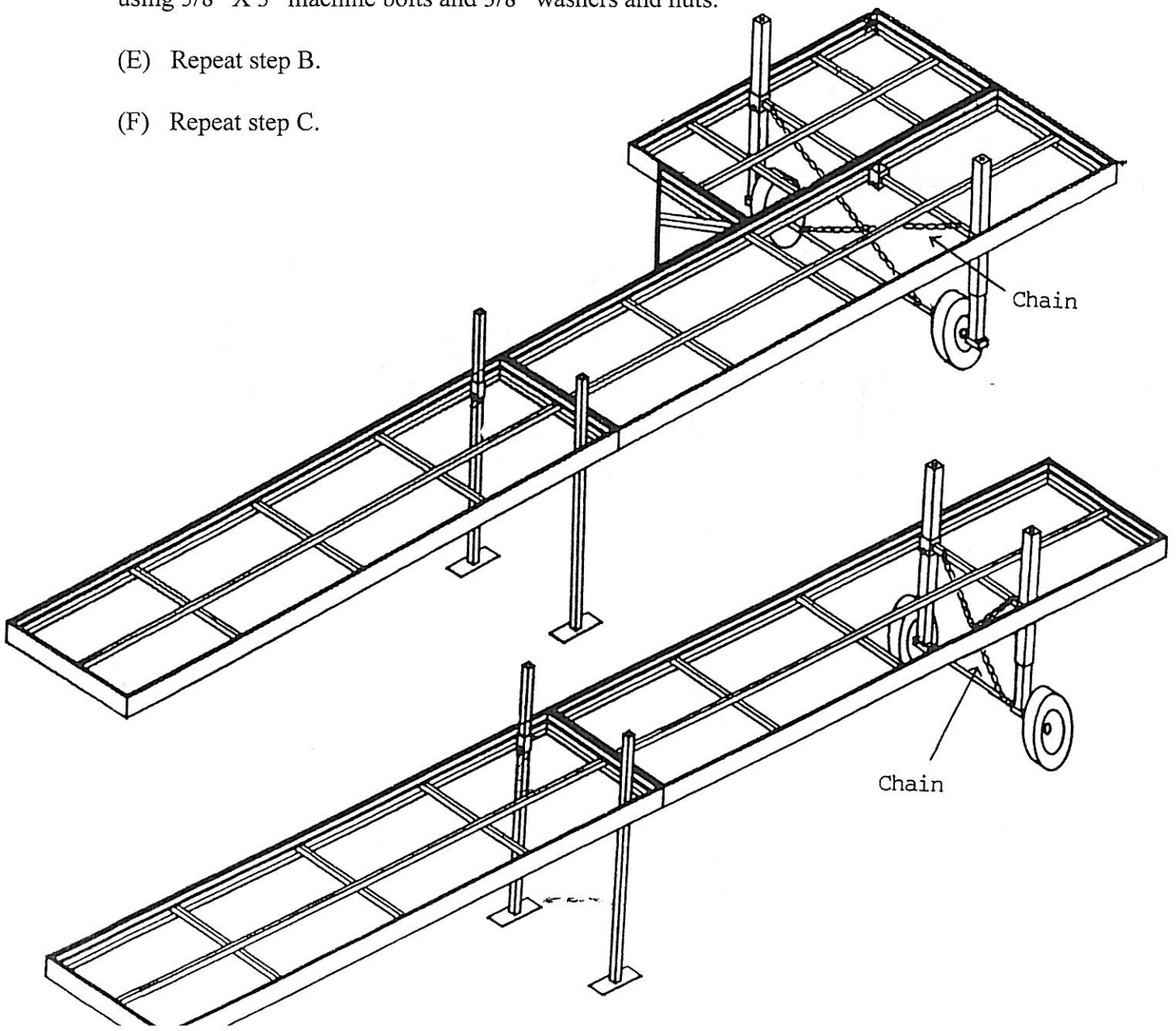
(B) Attach the other end of each chain to the dock frame as shown using 3/8" X 2 1/2" machine bolts and 3/8" washers and nuts. The chains should be fairly snug after this connection.

(C) Raise each screw leg slightly to tighten the chains and firm up the dock unit.

(D) On a straight WAD, attach one end of each chain to the axle between the sleeves using 3/8" X 3" machine bolts and 3/8" washers and nuts.

(E) Repeat step B.

(F) Repeat step C.



## CAUTIONS:

1. Be sure your dock can be installed on a firm and stable foundation. If lake bottom conditions do not allow for a secure installation, this product may not be suitable. ShoreMaster builds a wide variety of docks. Call ShoreMaster or your dealer for suggestions or other options.
2. Install high enough above water surface, so waves do not contact Truss Dock Frames or Panels.
4. Do not run on dock. Running on dock could result in a falling injury. Use caution, especially when surface is wet.
5. Do not dive off dock. Diving off dock could result in a severe head, neck, or back injury or death.

## USE, REMOVAL, STORAGE AND SERVICE

1. Upon completed installation, your Wheel-A-Dock is ready for use. Many ShoreMaster dock accessories are available to compliment your dock system. Contact your dealer or ShoreMaster for details.
2. The dock system must be removed from water during the winter months. Warranty is void if dock is exposed to ice conditions.
3. You may need to Raise the Leg Posts before wheeling the dock out of the water. Before removing the dock remove all the panels. Stack Panels on a flat surface, and store them in a dry area to preserve life.
4. Inspect Wheel-A-Dock Frame, Panels, connections, Nuts, and Bolts at least once every six months for damage, wear or loose connections. Tighten or replace parts as needed.
5. ShoreMaster dealers usually offer service visits. Please contact them if you are unable or unwilling to perform service to docks.

## SHOREMASTER'S LIMITED WARRANTY

ShoreMaster, Inc. warrants its products shall be free from manufacturing defects as follows:

| Product Description                   | Warranty Period   |
|---------------------------------------|---|
| ShoreMaster brand boatlifts and docks | 15 year warranty on aluminum structure and welds  |
| Private label boatlifts               | 10 year warranty on aluminum structure and welds  |
| Canopy vinyls                         | 5 year warranty on vinyl, prorated  |
| ShorePort and Floating Uni-dock       | 8 year warranty on polyethylene structure and expanded polystyrene foam   |
| Swim raft                             | 3 year warranty on polyethylene structure and expanded polystyrene foam   |
| Hydro-Bike                            | 1 Year warranty on all components   |
| Floats                                | 10 year warranty on polyethylene structure and expanded polystyrene foam  |
| Items not listed above                | 2 year warranty, excluding components and options that carry their own manufacturer's warranty, wherein that warranty shall apply |

ShoreMaster's warranty is limited to products purchased new by the original owner and is not transferable. **SHOREMASTER WILL AT ITS OPTION REPAIR OR REPLACE, WITHOUT CHARGE, OR ALLOW CREDIT FOR ANY SUCH GOODS FOUND ON EXAMINATION BY SHOREMASTER TO BE DEFECTIVE UNDER NORMAL USE AND SERVICE. THE BUYER'S REMEDIES WITH RESPECT TO DEFECTIVE GOODS SHALL BE EXCLUSIVELY LIMITED AS ABOVE PROVIDED AND IN NO EVENT SHALL THE SELLER BE LIABLE FOR INCIDENTAL OR CONSEQUENTIAL DAMAGES OF ANY NATURE. ALL OTHER WARRANTIES, INCLUDING BUT NOT LIMITED TO WARRANTIES OF MERCHANTABILITY AND FITNESS FOR A PARTICULAR PURPOSE ARE EXPRESSLY DISCLAIMED.** ShoreMaster's warranty does not cover damage caused by circumstances outside the reasonable control of ShoreMaster, including but not limited to, improper use, installation, overloading, accident, neglect or harmful alterations or repairs made by others, damage by snow or ice, electrolysis, severe weather conditions and Acts of God, natural expansion or contraction of deck surfaces caused by weather conditions.

ShoreMaster must receive written notice of a discovered defect covered under warranty prior to the expiration of the warranty. The warranty period shall be for the time specified, beginning from the date of purchase as shown on customer's invoice. Warranty on canopy frame requires proof of purchase of a ShoreMaster manufactured vinyl.